
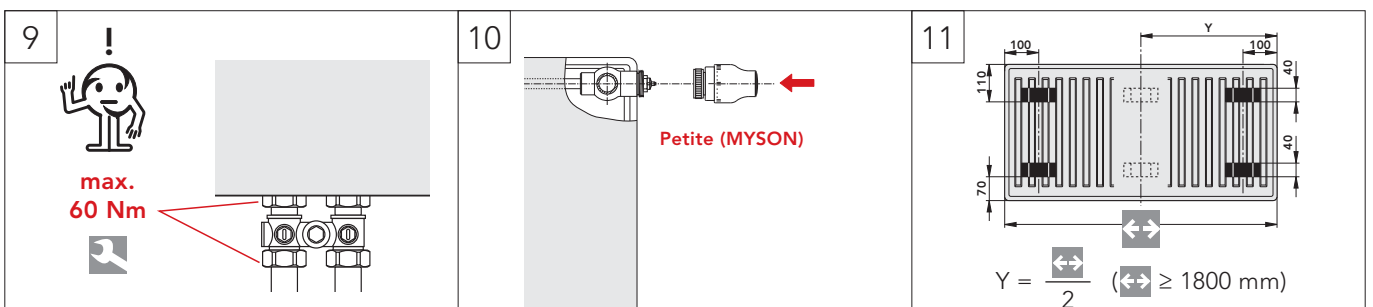
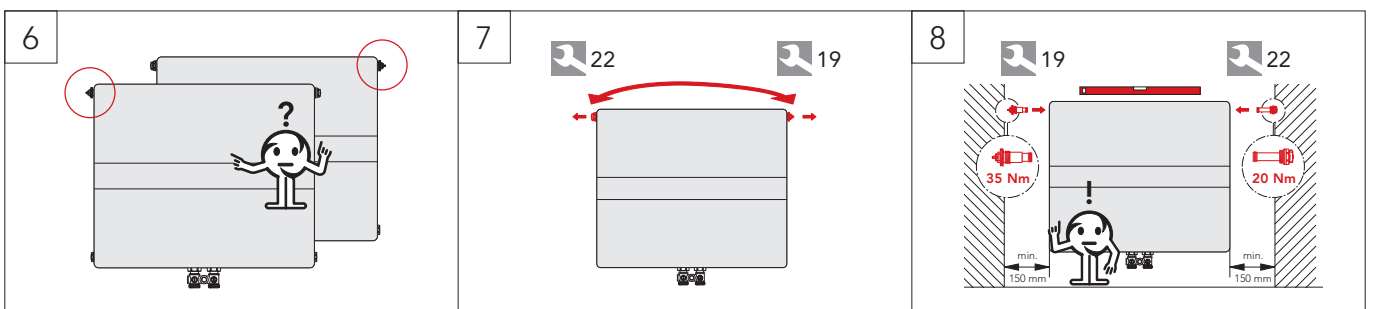
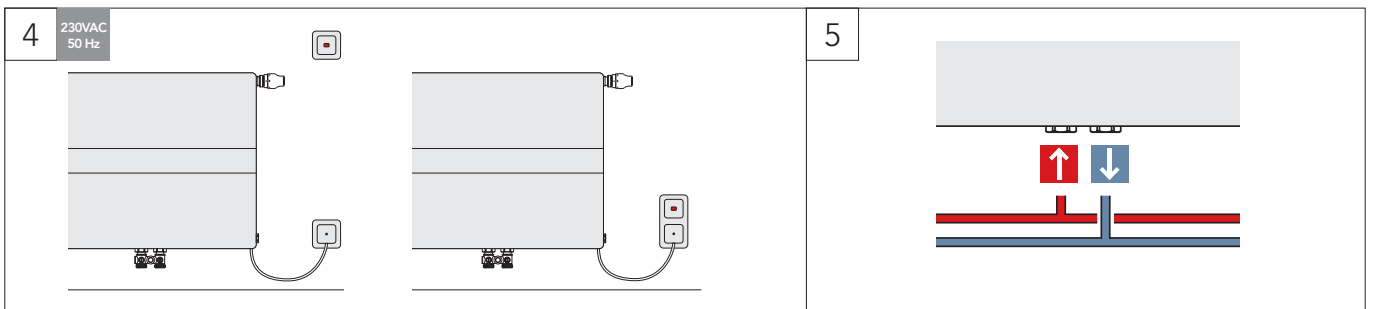
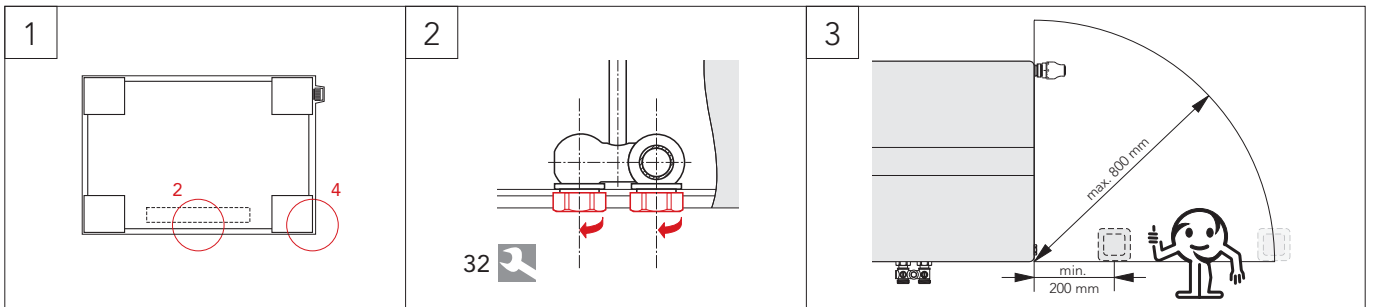


10 bar max.  max. 230VAC 50 Hz


max. 60 °C



**(EN) WARNING:** In order to assemble the radiator correctly, it is important that the mounting be carried out according to the intended use **and** configured for a possible misuse. Before completion of the assembly several points must be considered, including the mounting method for the assembly of the radiator on the wall, the type and characteristics of the wall itself, as well as respective additional forces and weights. **In every case it is strongly recommended that the assembly be carried out by a properly trained assembler or qualified craftsman, and that a suitable mounting material is used.**

The installation and initial operation of your **ULOW-E2 low temperature radiator** should be carried out by an approved specialist company. During the installation the relevant standards and/or the ÖVE and VDE regulations should be observed. Before beginning assembly please follow the points below under "IMPORTANT INSTRUCTIONS".

## Important instructions

- The appliance must only be fitted by a qualified expert.
- The appliance must not be fitted directly under a wall socket.
- Install the appliances in bathrooms or shower rooms so that a person using the bath or shower cannot touch switches and other controls.
- If the appliance connector lead is damaged, it must only be replaced by the manufacturer.
- Important! To avoid overheating, the radiator must never be completely covered for safety reasons. 
- After fitting the appliance, the fuse spur must be accessible.
- For ULOW-E2, a fused (3A) electrical spur with a switch having 3mm separation on all poles must be provided in an easily accessible position adjacent to the unit.
- The electrical installation must comply with local or national wiring regulations.
- This appliance may be used by children aged 8 or older and by people with impaired physical, sensory or mental abilities or a lack of experience and knowledge if they are supervised or instructed with regard to safe use of the appliance and understand the resulting risks. Children must not play with the appliance. Children must not perform cleaning or user maintenance without supervision.
- Number of fans =  $\frac{\text{overall length [mm]}}{100} - 2$
- Do not use any abrasive cleaning agents or paint thinners for cleaning!