



# TRV 2-WAY

Our TRV 2-WAY is A-rated for maximum efficiency. The MYSON TRV 2-WAY is the most complete thermostatic radiator valve range available for today's central heating systems. Incorporating our unique '2-way' engineering, including our patented 'bonding' technique, the MYSON TRV 2-WAY simplifies installation and removes the worry of costly callbacks. It has a liquid sensor fitted at its heart, guaranteeing years of accurate temperature control. It is available in a polished chrome, nickel or brass finish. An impaired dexterity version is also available, for applications where this is required.

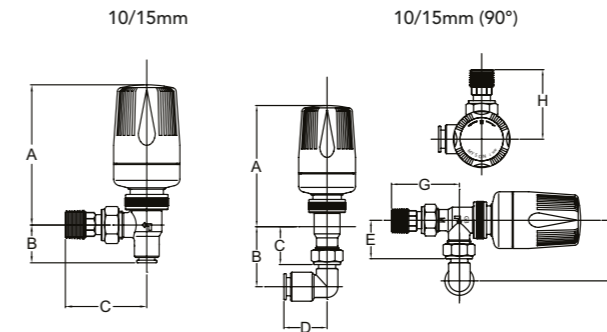
## GENERAL SPECIFICATION

- CERTIFICATION**  
Produced under a quality management system - ISO 9001:2008. Conforms to BS 2767-10 and complies to EN 215.
- OPERATING PRESSURES**  
Tested to a maximum pressure of 10 bar (compression), 3 bar (pushfit).
- GUARANTEE**  
2 year guarantee from date of purchase against manufacturing defects.
- OPERATING TEMPERATURE**  
Maximum 120°C (compression), 92°C (pushfit).
- COLOUR**  
Finished in chrome, nickel or brass.
- DELIVERY**  
2 - 5 working days.
- CONNECTIONS**  
Compression or pushfit.

For more general information, please see page 276.

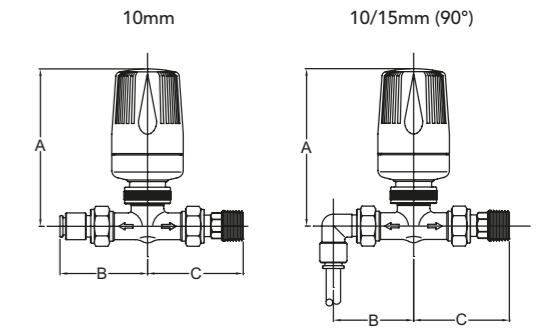
## DIMENSIONS

### Angle TRV 2-WAY (Includes Pushfit)

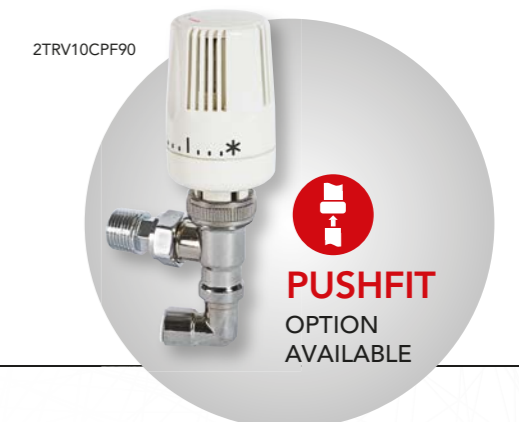


Model	A (mm)	B (mm)	C (mm)	D (mm)	E (mm)	F (mm)	G (mm)	H (mm)
10/15mm Chrome/Nickel	107.0	39.0	61.0	-	-	-	-	-
10mm Chrome/Nickel PF	107.0	33.0	61.0	-	-	-	-	-
15mm Chrome/Nickel PF	107.0	33.0	61.0	-	-	-	-	-
10mm (90°) Nickel PF	107.0	47.0	33.0	30.0	34.0	50.0	60.0	61.0
10mm (90°) Chrome PF	107.0	47.0	33.0	30.0	34.0	50.0	60.0	61.0
15mm (90°) Nickel PF	107.0	53.0	33.0	38.0	34.0	56.0	60.0	61.0
15mm (90°) Chrome PF	107.0	53.0	33.0	38.0	34.0	56.0	60.0	61.0
10mm (90°) Chrome Compression	107.0	47.0	33.0	31.0	34.0	50.0	60.0	61.0

### Straight TRV 2-WAY (Includes Pushfit)



Model	A (mm)	B (mm)	C (mm)
10mm Chrome PF	110.0	61.0	67.0
10mm (90°) Chrome PF	110.0	56.0	67.0
15mm (90°) Chrome PF	110.0	62.0	67.0



NB: All measurements are nominal.

## TRV 2-WAY

Description	Metal Finish	Order Code	Minimum Order Qty
10/15mm Angle	Chrome	2TRV10C	1
15mm Angle	Chrome	2TRV15C	1
15mm Straight	Chrome	2TRV15SC	1
10/15mm Angle	Brass	2TRV10B	1
15mm Angle	Brass	2TRV15B	1

## TRV 2-WAY CONTRACT

8/10/15mm Angle	Nickel	2TRVUS	1
10/15mm Angle	Nickel	2TRV10N	1
10/15mm Straight	Nickel	2TRV10NS	1
15mm Angle	Nickel	2TRV15N	1
10mm (90° Comp Elbow)	Nickel	2TRV10N90	1

## TRV 2-WAY PUSHFIT

10mm (90° Pushfit Elbow) Angle	Chrome	2TRV10CPF90	1
10mm (90° Pushfit Elbow) Straight	Chrome	2TRV10SCPF90	1
10mm Straight	Chrome	2TRV10SCPF	1
15mm (90° Pushfit Elbow) Angle	Chrome	2TRV15CPF90	1
15mm Angle	Chrome	2TRV15CPF	1
15mm (90° Pushfit Elbow) Straight	Chrome	2TRV15SCPF90	1

## TRV 2-WAY CONTRACT PUSHFIT

10mm (90° Pushfit Elbow) Angle	Nickel	2TRV10NPF90	1
10mm Angle	Nickel	2TRV10NPF	1
15mm (90° Pushfit Elbow) Angle	Nickel	2TRV15NPF90	1
15mm Angle	Nickel	2TRV15NPF	1