



LST VERTICAL

INSTALLATION, OPERATING,
MAINTENANCE & AFTER SALES MANUAL

Made in the UK by Rettig UK Ltd.
Please leave this manual with the end user.

1.0 General Information

LST radiators are for use on indirect systems only. The system should be designed to follow the recommendations of BS EN 12828:2003 or BS EN 12831:2003, as appropriate, with particular care taken to avoid air entry or water discharge through an open vent. The installation work must be done in

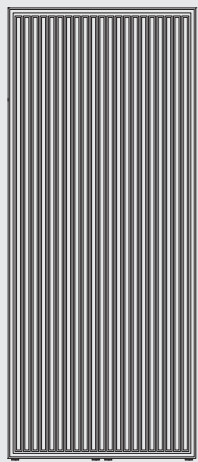
accordance with recognised good practice and precautions taken to avoid contamination, which could lead to corrosion. If a corrosion inhibitor or other water treatment is to be used, the manufacturer's instructions must be strictly followed.

2.0 Fixing

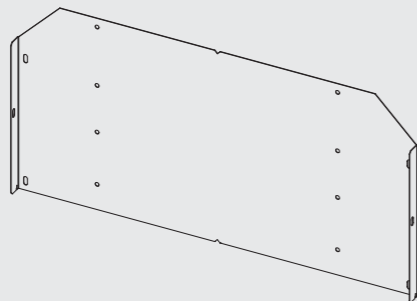
IMPORTANT: For the correct installation of radiators it is essential that the fixing of the radiator is carried out in such a way that it is suitable for intended use AND predictable misuse. A number of elements need to be taken into consideration including the fixing method used to secure the radiator to the wall, the type and condition of the wall itself, and any additional potential forces or weights that may happen to be applied to the radiator, prior to finalising installation.

What's included:

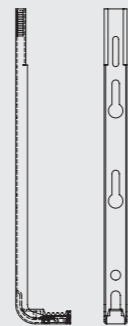
1x Vertical radiator



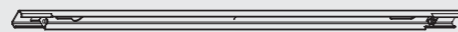
2x Bracket plates



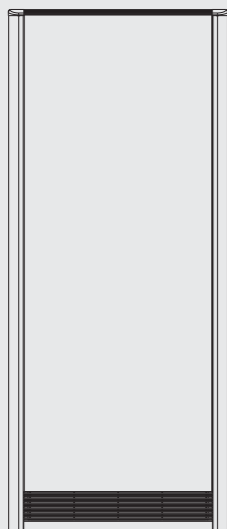
2x "J" brackets



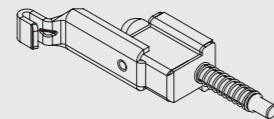
1x Top bracket brace



1x LST casing



2x Top bracket brace fixing



1x Air vent



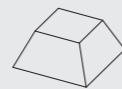
3x Blanking plug



2x Straight 1/2" valve tails



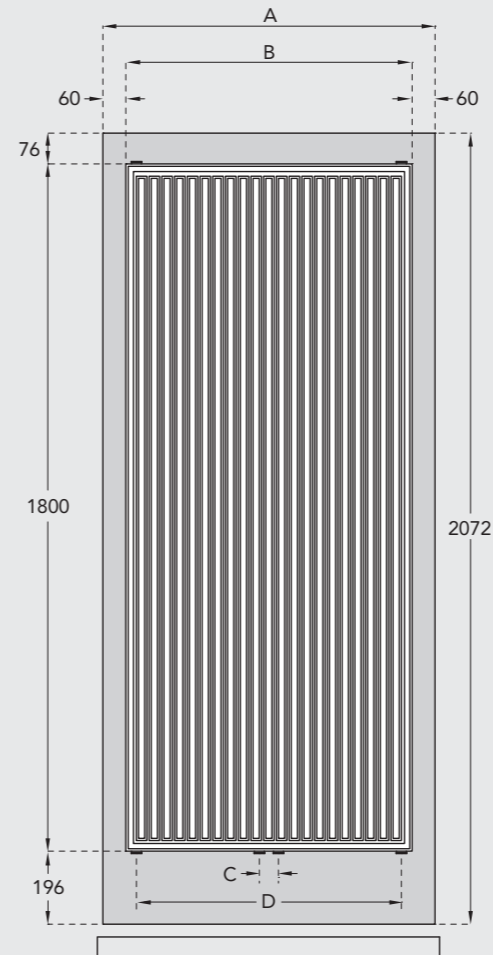
2x Self-adhesive spacers



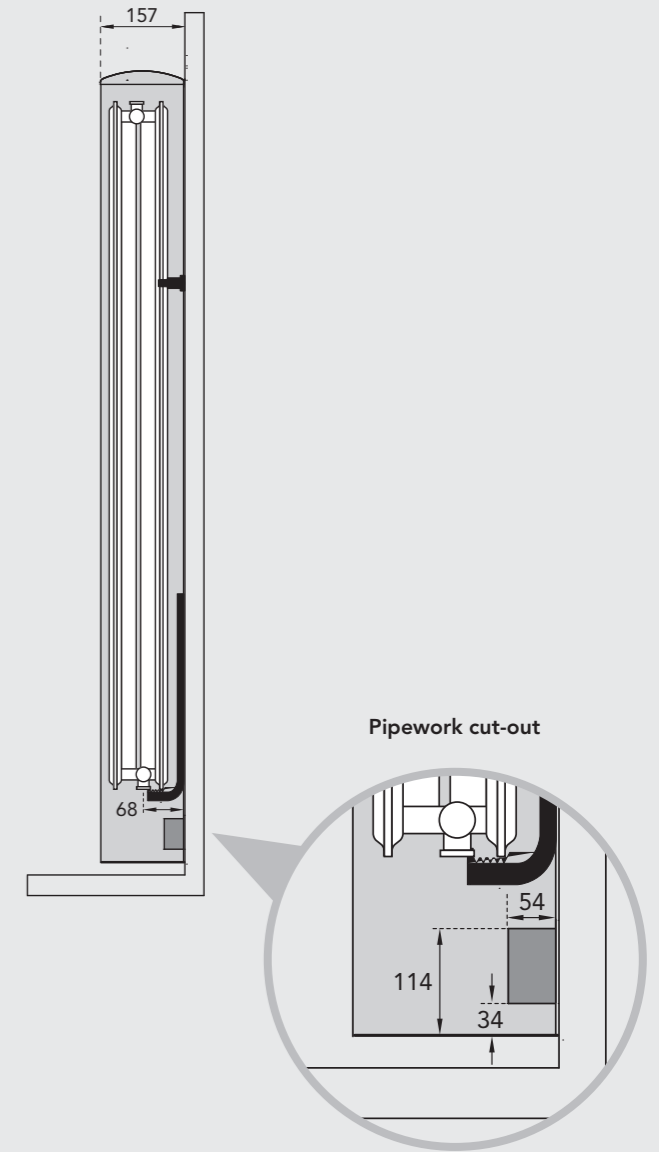
12x  
Ø 10mm

2.0 Fixing (cont...)

Fixing dimensions



Casing Width - A	420	570	720	870
Radiator Width - B	300	450	600	750
Centre Connections - C	50	50	50	50
Left-Right Connections - D	244	394	544	694



IMPORTANT: It is advisable to leave a further 5mm clearance above any final floor covering to allow for easy fitting and removal.

Fig. 1 All measurements are in mm

3.0 Water Connections

- If surface mounting pipework is being used, this must be routed and mounted to run within the rectangular cut-outs provided at each end of the casing (see Fig. 1). To remove the cut-out, flex from side to side until the connection is broken. If pipework enters one side only, the other cut-out should be left intact.
- Carry out the plumbing connections in the usual way. Fig. 1 shows the clearances between the radiator and the casing. Ensure that pipework and valves are within these limits to enable correct fitting of the casing.

4.0 Full Fitting Instructions

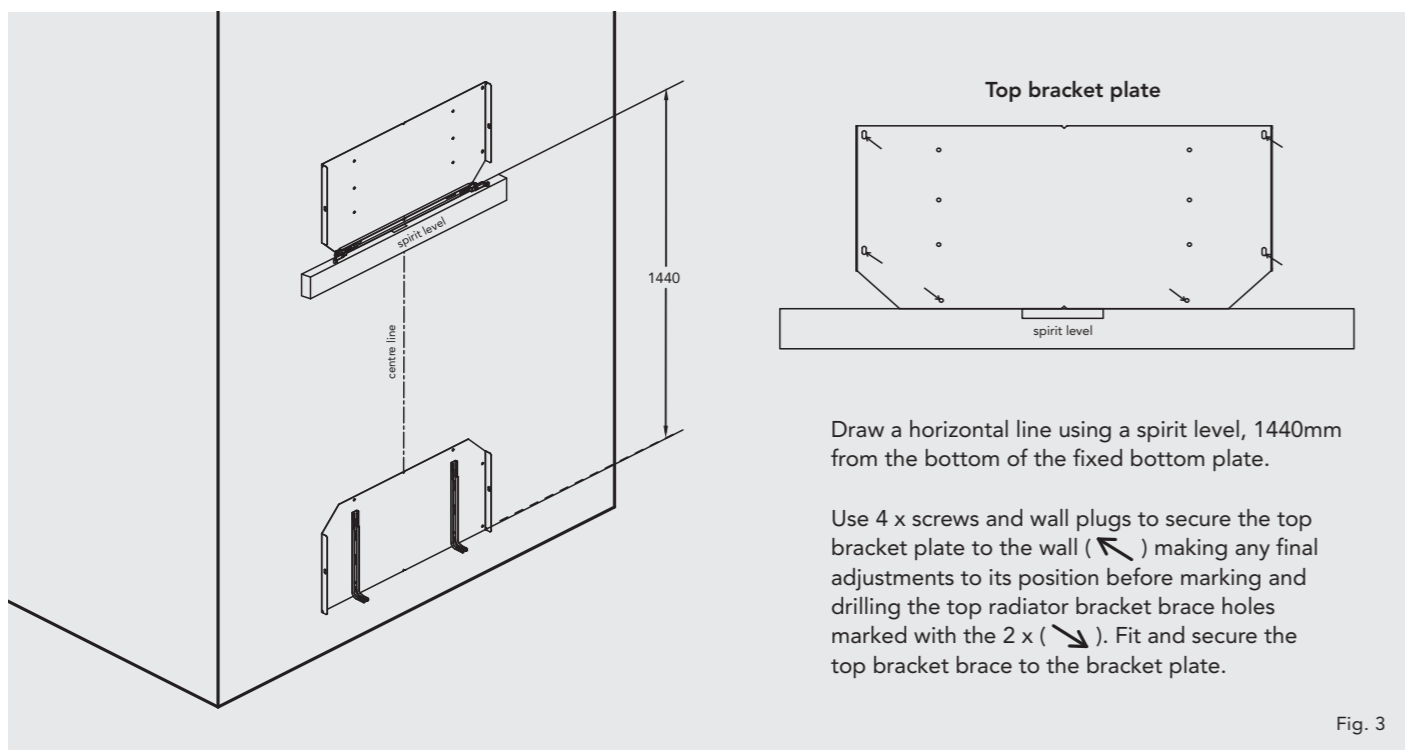
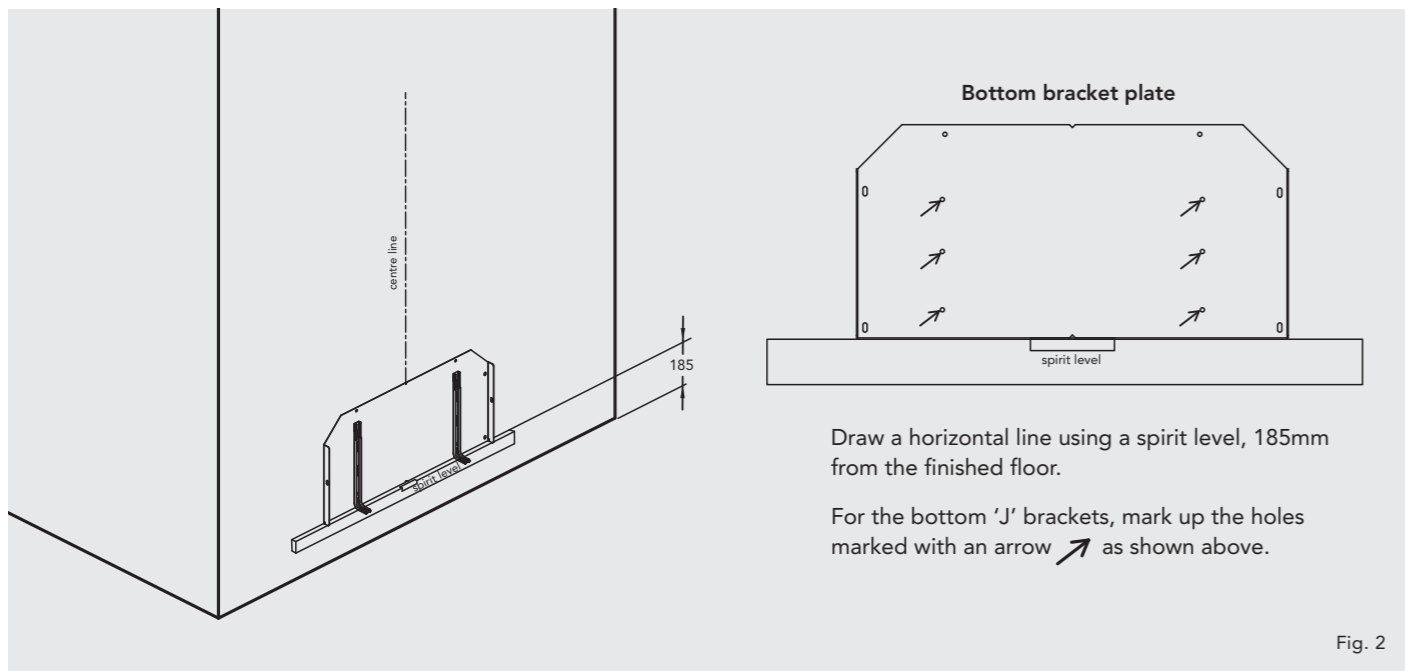
1. Unpack the contents and check everything is present

2. Fixing the bracket plates and brackets

- Using a spirit level, draw a vertical line in the centre of the intended final position of the LST (see Fig. 2).
- Measure and mark 185mm from the finished floor on the centred line (see Fig. 2).
- Using one of the bracket plates and the 2 x "J" brackets, fix the bottom brackets as shown in Fig. 2 (the bracket plates are pre-drilled so horizontal measuring is not required - see Section 8, Appendix A for dimensions).

- Measure 1440mm from the bottom of the fixed bracket plate on the centred line, to mark the position for the top bracket plate (see Fig. 3).
- Using a spirit level, fix the second bracket plate and the top bracket brace as shown in Fig. 3.

Note: The top bracket plate is a mirror image of the bottom plate.



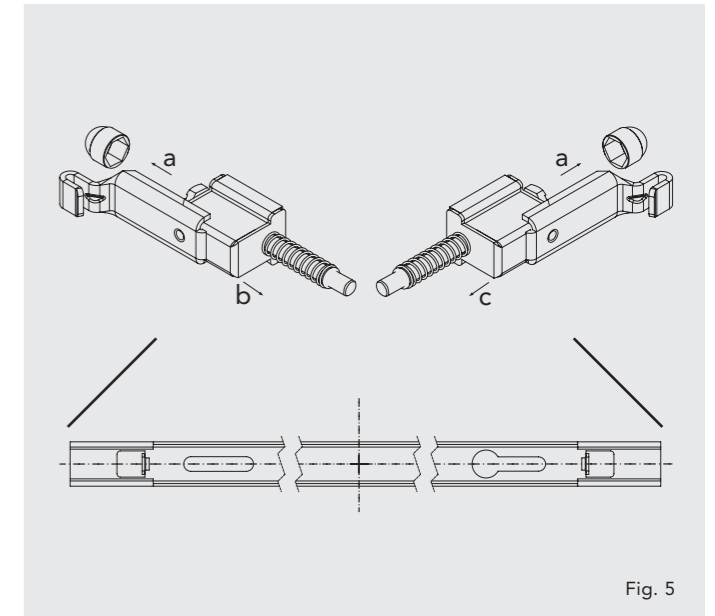
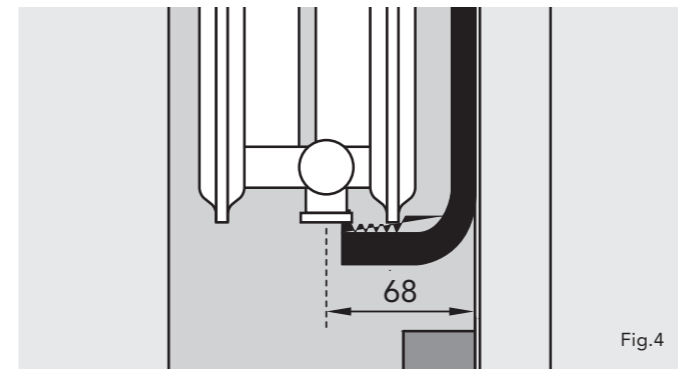
4.0 Full Fitting Instructions (cont...)

3. Fit the radiator

- Place the radiator on BOTH lower 'J' brackets as shown in Fig. 4. Be careful to centre it correctly between the two 'J' brackets.

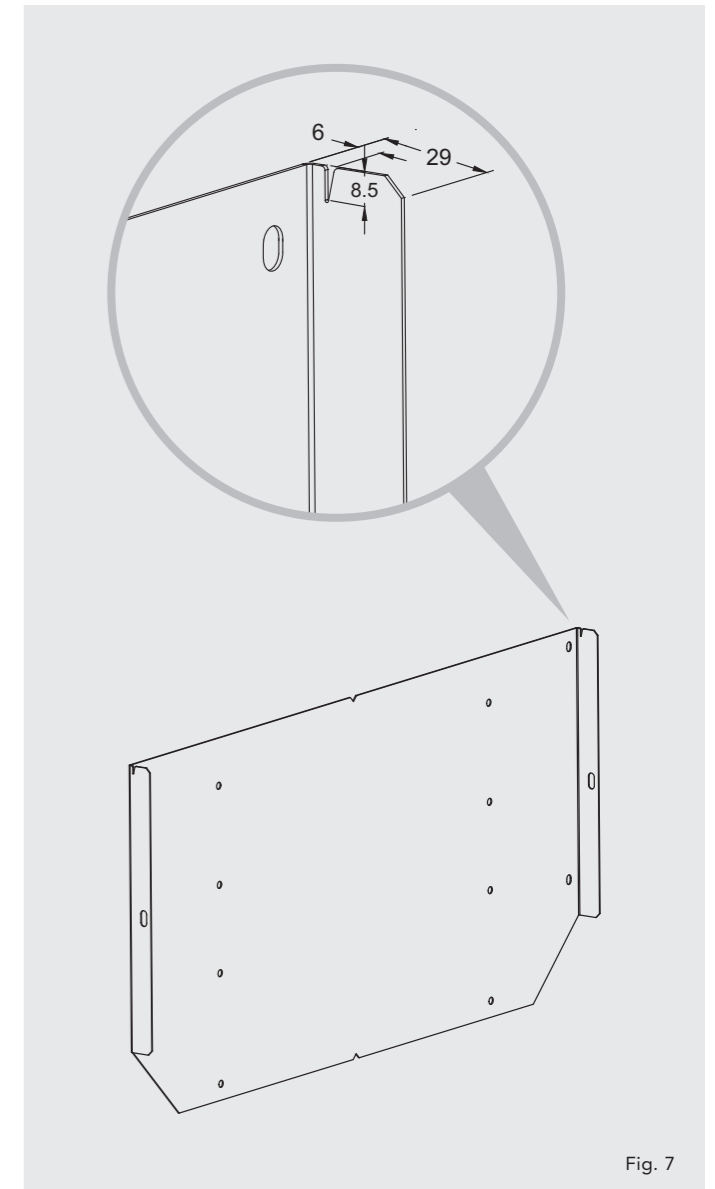
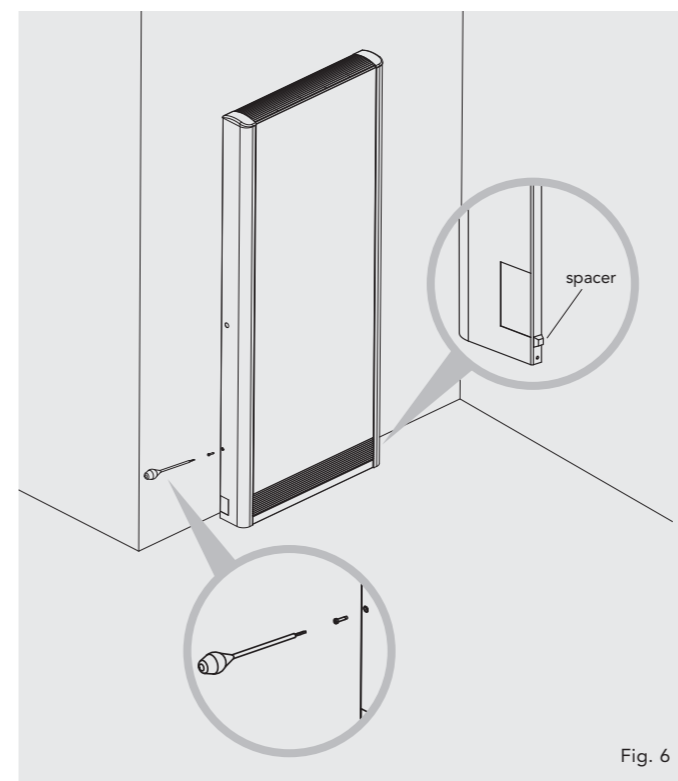
Note: The radiator connections are offset. Please ensure the connections are closer to the wall as shown in Fig. 4.

- Attach the top bracket brace side fixings as per Fig. 5. The side fixings secure the radiator to the brace by the seam.
- Connect the radiator to the heating system. Please refer to Section 5 and separate valve kit instructions.



4. Fit the casing

- Fit the two self-adhesive spacers to each back return of the LST casing below the pipework knock-outs as shown (see Fig. 6).
- Fit the LST casing on the top bracket plate. Ensure the LST casing is located into the mounting slots situated on top of the plate (see Fig. 7).
- Secure the LST casing to the bottom bracket plate via the screw holes at each end (see Fig. 6).



5.0 Thermostatic Radiator Valves

- LST Vertical radiators can only be fitted with the Universal Close Coupled TRV Kit:
- NOTE: Please disregard the 2 integration elbows from the Close Coupled Kit and use the straight valve tails supplied with the Vertical LST.**
- Please refer to the Universal Close Coupled TRV Kit instructions for more information.
- The radiator has 6 connections. Please ensure you use the supplied plug and vents in the unused connections.

Universal Close Coupled TRV Kit comprises:

- 1 TRV head & limit pins
- 1 1/2" 15mm straight body
- 1 LST capillary unit
- 1 Head locating body
- 1 1/2" 15mm Matchmaster straight lockshield valve
- 2 Integration elbows - to be disregarded (please use the straight valve tails enclosed instead)

Order Code: UNICCKTC

LEFT/RIGHT CONNECTION* CENTRE CONNECTION*

*Reversible connections - flow can be left or right in either option.

6.0 Cleaning and Maintenance - LST Casing

- Remove both security screws (see Fig. 6).
- Lift the LST casing from the top wall bracket plate and pull forward.
- To reposition the casing, lift the casing onto the top bracket plate ensuring correct engagement with the bracket slots. Replace the security screws.

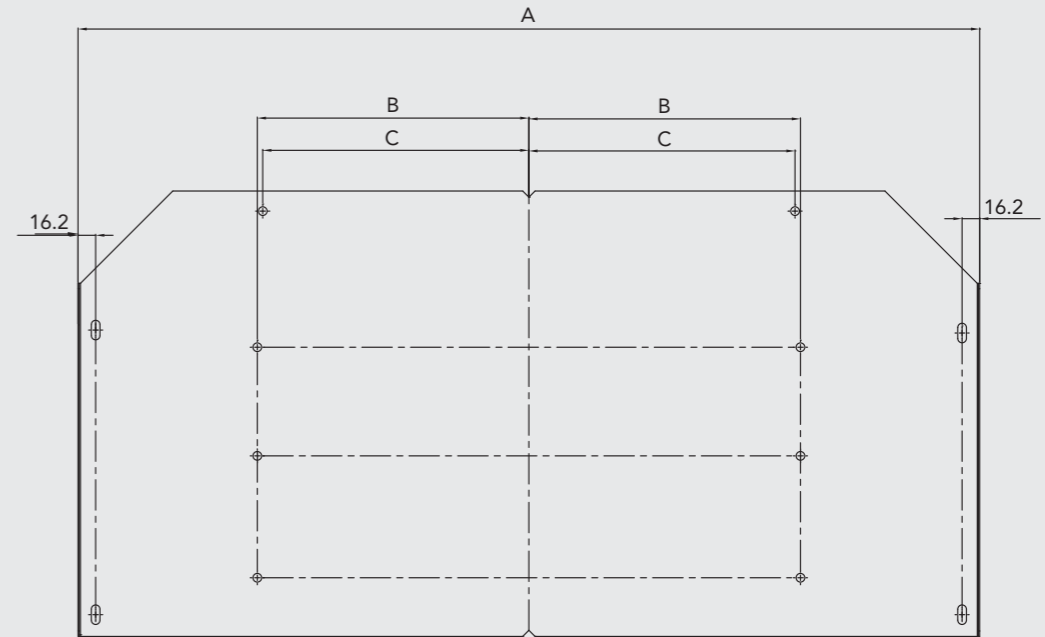
7.0 Warranty

This product is covered by a 10 year warranty from date of purchase against manufacturing defects for both the radiator and the casing.



8.0 Appendix

A Top/bottom bracket plate



A = Overall bracket
 B = Centre to J bracket position
 C = Centre to top brace position

Casing	420	570	720	870
Radiator	300	450	600	750
Dimension A	380	530	680	830
Dimension B	75	100	175	250
Dimension C	25	95	170	245

Eastern Avenue, Team Valley, Gateshead, Tyne & Wear NE11 0PG, UK
T: 0845 402 3434, F: 0191 491 7568, sales@rettigicc.co.uk