










PETITE

The MYSON PETITE Thermostatic Radiator Valve is a beautifully designed TRV for today's heating systems. The PETITE combines attractive design with total reliability, it also incorporates our 2-way flow technology. The PETITE is available as a single valve or a convenient 'TRV & manual' valve pack (see page 256), in either 10mm or 15mm sizes and finished in a bright nickel. Available in straight and angle versions.

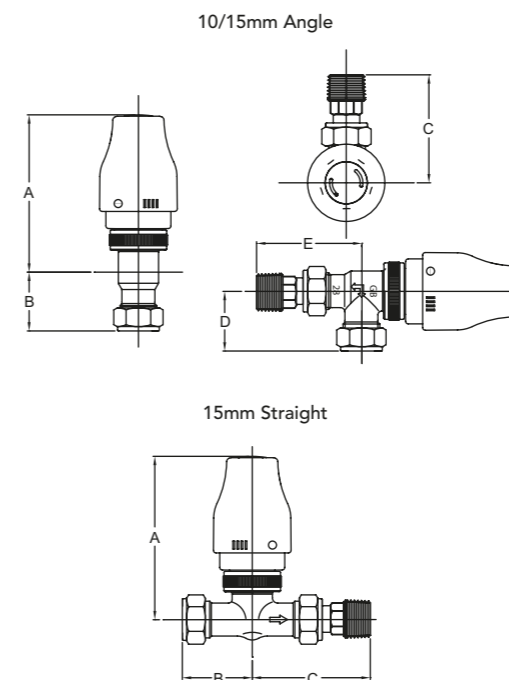
GENERAL SPECIFICATION

-  **CERTIFICATION**
Produced under a quality management system - ISO 9001:2008 and complies to EN 215.
-  **OPERATING PRESSURES**
Tested to a maximum pressure of 10 bar (compression), 3 bar (pushfit).
-  **GUARANTEE**
2 year guarantee from date of purchase against manufacturing defects.
-  **OPERATING TEMPERATURE**
Maximum 120°C (compression), 92°C (pushfit).
-  **COLOUR**
Finished in nickel.
-  **DELIVERY**
2 - 5 working days.
-  **CONNECTIONS**
Compression or pushfit.

For more general information, please see page 276.

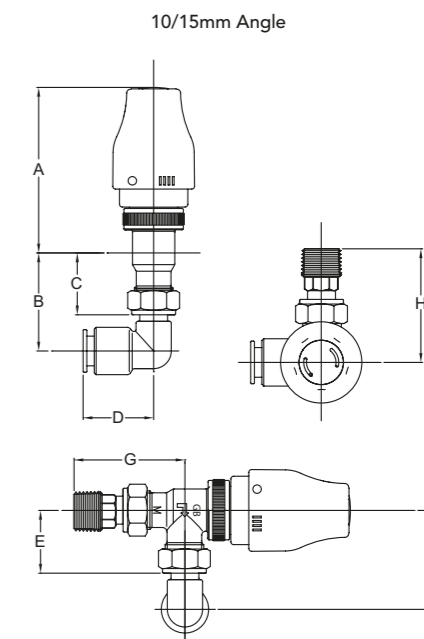
DIMENSIONS

PETITE



Model	A (mm)	B (mm)	C (mm)	D (mm)	E (mm)
10mm Angle	89.0	33.0	61.0	34.0	60.0
15mm Angle	89.0	33.0	61.0	34.0	60.0
15mm Straight	93.0	40.0	67.0	-	-

PETITE Pushfit



Model	A (mm)	B (mm)	C (mm)	D (mm)
10mm Angle	89.0	33.0	61.0	30.0
15mm Angle	89.0	39.0	61.0	36.0

Model	E (mm)	F (mm)	G (mm)	H (mm)
10mm Angle	34.0	50.0	60.0	61.0
15mm Angle	34.0	56.0	60.0	61.0

NB: All measurements are nominal.



PETITE

Description	Metal Finish	Order Code	Minimum Order Qty
10mm PETITE TRV Angle	Nickel	PETTRV10N	10
15mm PETITE TRV Angle	Nickel	PETTRV15N	10
15mm PETITE TRV Straight	Nickel	PETTRV15NS	10

PETITE PUSHFIT

10mm PETITE (90° Pushfit Elbow) Angle	Nickel	PETTRV10NPF90	10
15mm PETITE (90° Pushfit Elbow) Angle	Nickel	PETTRV15NPF90	10